

marantz® SERVICE BULLETIN		Date: 27-Feb.-2004	Model: DV8400
		Page: 1 / 1	REF.NBR: MZ04-017
Circulation:		Subject:	
Application:		Output signal distortion.	
x for information customer complaint in case of service mandatory			
		See Below	

[PHENOMENON]

- 1) FRONT L/R 1 2 and SURR.L/R, CENTER L/R, SUB W L/R of AUDIO OUTPUT are simultaneously Connected to amplifier.
- 2) If the Amplifier which used the electronic switch is turned off, another sound will be distorted.

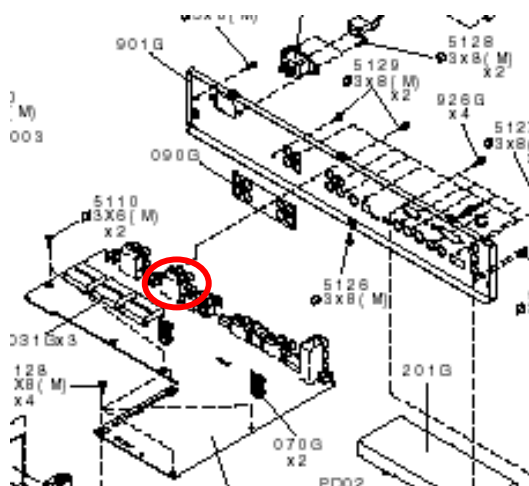
[REASONS]

FRONT L/R 1 2 are connected parallel, therefore, if the Amplifier input of another side short-circuits, it will influence

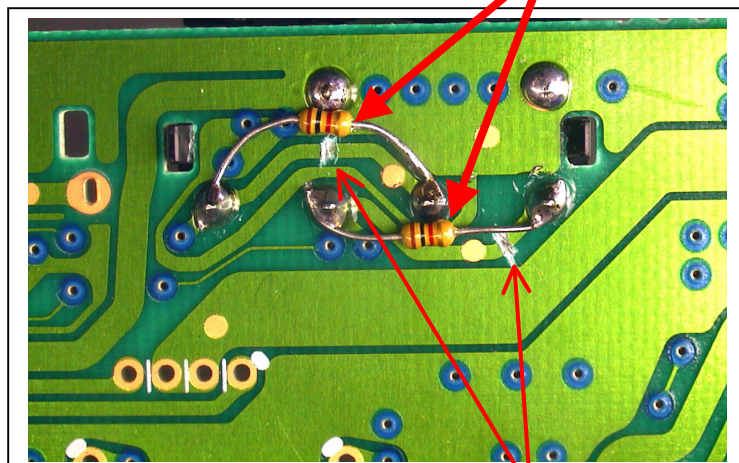
[SOLUTION]

On the PM01-AV CIRCUIT BOAD

1. Resistor 1k ohm is added to 2 of FRONT L/R 1 2.
2. Cut pattern.



Solder side of FRONT L/R 1 2 (Jack RCA) 1 k ohm



Cut pattern

[NECESSARY PART]

Carbon film fixed resistor, 1k ohm +5% 1/6W (part no. **GD05102160**)

[REMARKS]

The countermeasure apply to this claim only.

marantz® SERVICE BULLETIN		Date: 15-May-2003	Model DV8400
		Page: 1/1	REF.NBR: MZ03-016
Circulation:		Subject:	
Application:		1. Slow mode problem	
x for information customer complaint in case of service mandatory		2. RC232C command problem in the condition of "No Disc."	
Before MZxxxxxx02xxxx		Int.ref:	

[PHENOMENON]

1. Can not change the slow speed or not engaged to the slow mode in the condition of "5.1ch mode" and TruSurround "ON" mode of the Set Up MENU.
2. The Status of the RC232C will be "PLAY" in the condition of "No Disc" and send the "PLAY" command from RS232C.
3. The status of the RC232C will be "TRK" in the condition of "No Disc" and with tray open/close or turned on power.

[SOLUTION]

Replace the Front MPU (QF01) to the new one. (Parts No. ***HS11AKT2R**)

[REMARKS]

This improvement has been done in the production after Lot number "03" and later.
The Lot number is mentioned the serial number label on the rear panel.
(ex. **MZxxxxxx03xxxx**)